

ROPEBLOCK

Date _____

Quote # _____

1. Tonage _____

2. Rope Size _____

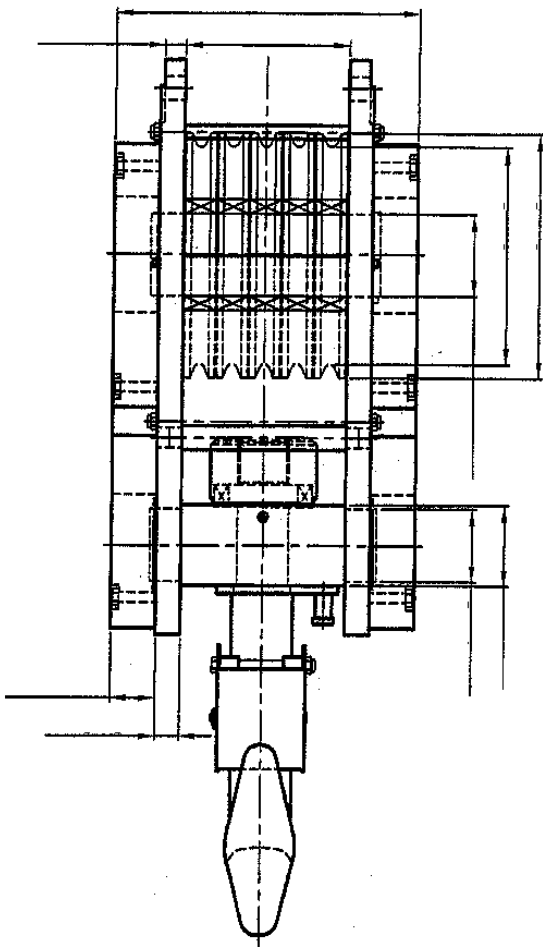
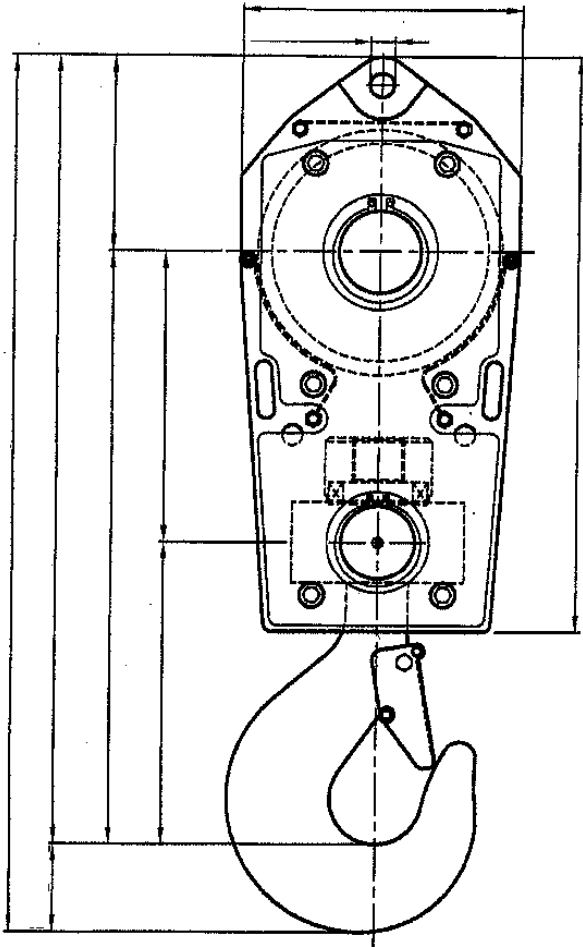
3. Sheave Dia. _____

4. Hook Style _____

5. Throat of Hook _____

6. Weight _____

7. Number of Sheaves _____



ARIZONA WIRE ROPE

SLINGS & RIGGING HARDWARE

2339 NORTH 34TH DRIVE
PHOENIX, ARIZONA 85009
(602) 269-7878 • FAX (602) 278-5075
Email: azwire@aol.com
www.azwirerope.com

Customer _____

Address _____

Contact _____

Phone _____

Cell _____

Fax _____

Email _____